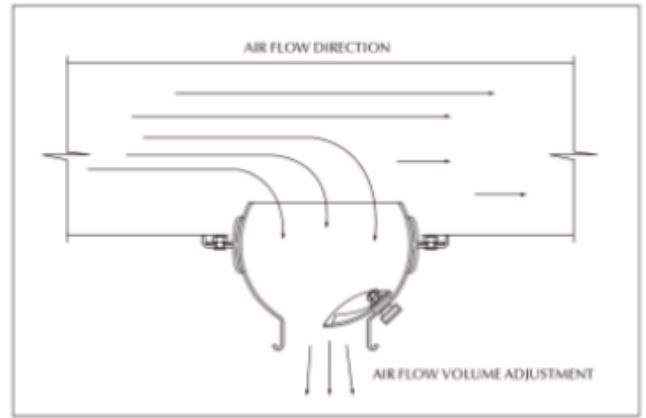
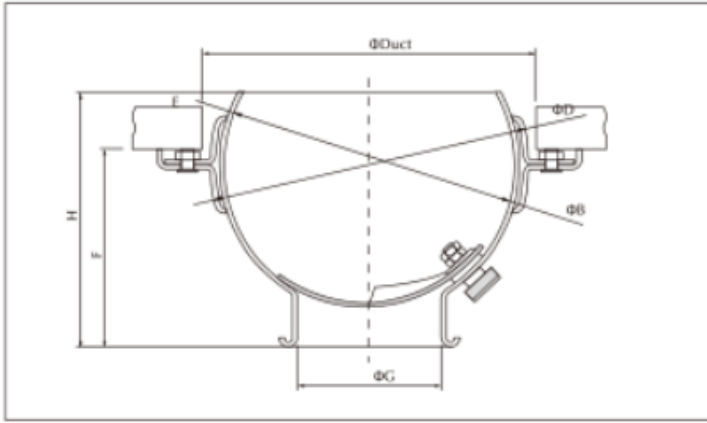




1163SS



Technical data

mm

Size	dust size	A	B	C	D	E	F	G	H
SD-4	165	160	150	200	162	30	85	75	116
SD-5	216	230	200	255	212	51	105	106	156
SD-6	260	300	264	325	276	75	130	140	206
SD-7	318	335	302	365	314	70	150	165	220
SD-8	318	335	302	365	314	70	150	190	220
SD-9	360	390	348	420	360	85	180	216	275
SD-10	400	455	381	490	400	72	191	230	263

STAINLESS STEEL JET NOZZLE DIFFUSER

Model: JET-SS

Description: Stainless Steel Jet Nozzle Diffuser

Material: Stainless Steel;

Color: Mill Finish;

Standard Available Dimensions: 80mm, 85mm, 100mm, 130mm, 175mm, 200mm, 250mm & 300mm;

Functions: Air Distribution;

Use: In the areas with high and large space, where ordinary diffusers or outlets could not be used, e.g. airport terminals, shopping centers, industrial plants, theatres, gyms. Museums, conference halls etc.;

Fixing Methods: OBD damper, Adaptor for connection to flexible duct optionally;

Packing: 1pc/CTN.